



# CE1000 stainless steel



## characteristics

### STRUCTURE

Rails are made up of unique closed profile manufactured from 1.5mm AISI 304 stainless steel. The frame corners are manufactured with orthogonal joints in AISI 304 stainless steel, laser welded to the rails.

Doors manufactured from 2mm AISI 304 (AISI316 on request) satin stainless steel with tubular stiffening frame.

Hinges are made in zinc alloy, chrome plated, open 180° (Hinges manufactured from AISI 316 stainless steel on request).

Rear panel manufactured from 1.5mm AISI 304 (AISI 316 on request) satin stainless steel.

Roof manufactured from 1.5mm AISI 304 (AISI 316 on request) satin stainless steel.

Bottom manufactured from 1.5mm AISI 304 (AISI 316 on request) satin stainless steel.

### supply includes

- structure
- doors complete with Ø 3mm double bar locking system
- rear panel
- removable roof
- bottom with removable cable entry.

### conformity and approval



### protection degree

- IP 55 complying with EN50298; EN60529
- type 12 complying with UL508A; UL50
- impact resistance IK10 complying with EN50298; EN50102.

To be ordered separately:

- eyebolts and/or lifting brackets (see page 7).

## CE1000 stainless steel single blank door

code		cabinet dim.			usable inner area			N	
mod.	art.	L (*)	A	P	W	H	I		
CE1000X	061804PR	600	1809	414	500	1700	300	1630	
	061805PR			514			400		
	062005PR		2009	514			1900		400
	062006PR	614		500					
	081804PR	800	1809	414		700	1700	300	1630
	081805PR			514				400	
	082005PR		2009	514	1900			400	
	082006PR	614		500					
	101805PR	1000	1809	514	900		1700	400	1630
	101806PR			614				500	
	102005PR		2009	514		1900		400	
	102006PR			614			500		

(\*) With side panels mounted overall dimension is 616, 816, 1016.

To order a stainless steel enclosure in high grade AISI 316, please add H to the catalogue number. E.g.: CE1000X-082005PRH.

## CE1000 stainless steel double blank door

code		cabinet dim.			usable inner area			N
mod.	art.	L (*)	A	P	W	H	I	
CE1000X	121804PR	1200	1809	414	1100	1700	300	1630
	121805PR			514			400	
	122005PR		2009	514		1900	400	
	122006PR			614			500	

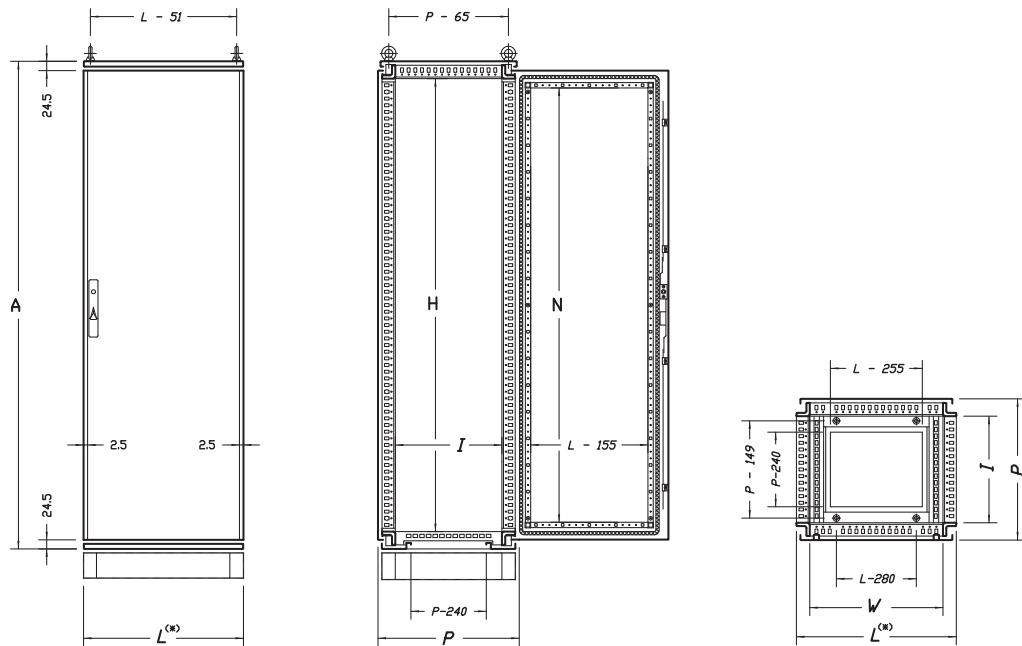
(\*) With side panels mounted overall dimension is 1216.

To order a stainless steel enclosure in high grade AISI 316, please add H to the catalogue number. E.g.: CE1000X-082005PRH.

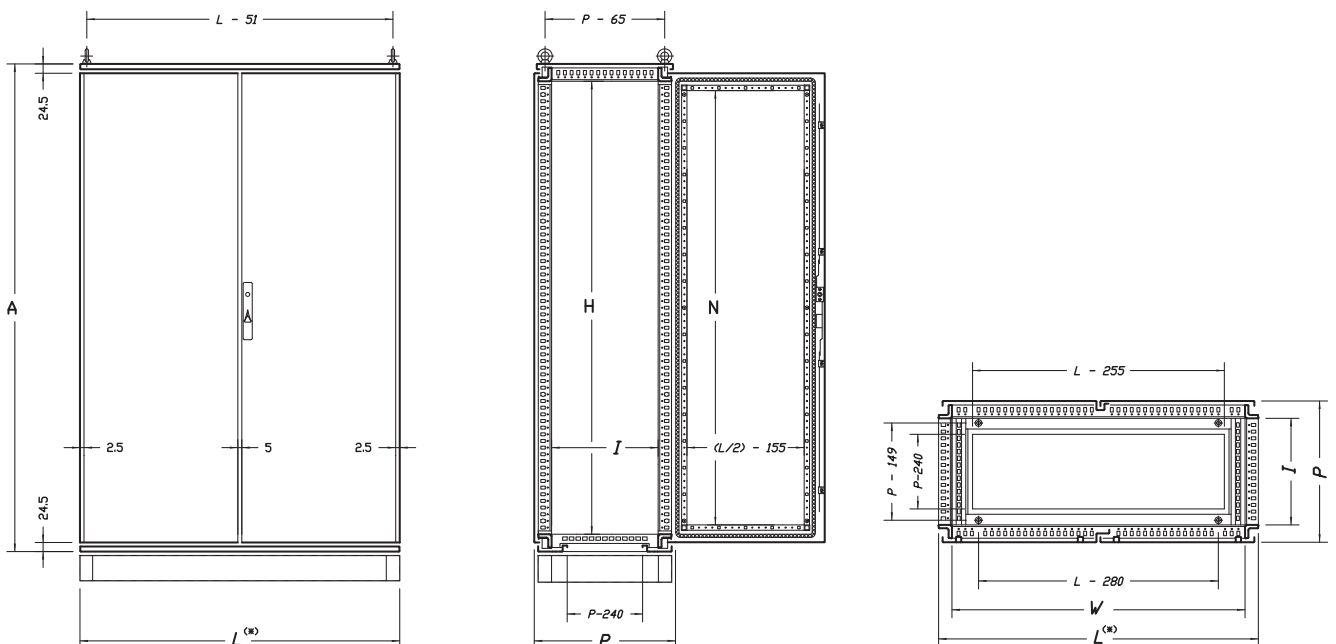


# CE1000 stainless steel

## CE1000 STAINLESS STEEL SINGLE BLANK DOOR



## CE1000 STAINLESS STEEL DOUBLE BLANK DOOR





# CE1000 stainless steel with glazed door



## characteristics

### STRUCTURE

Rails are made up of unique closed profile manufactured from 1.5mm AISI 304 stainless steel. The frame corners are manufactured with orthogonal joints in AISI 304 stainless steel, laser welded to the rails.

Doors manufactured in 2mm AISI 304 (AISI 316 on request) material with stiffening frame and plexiglas viewing window.

Hinges are made in zinc alloy, chrome plated (hinges manufactured from AISI 316 stainless steel on request).

### composition

- structure
- doors with plexiglas complete with Ø 3mm double bar locking system
- hinges in zinc alloy, chrome plated
- rear panel
- removable roof
- bottom with removable cable entry.

### conformity and approval

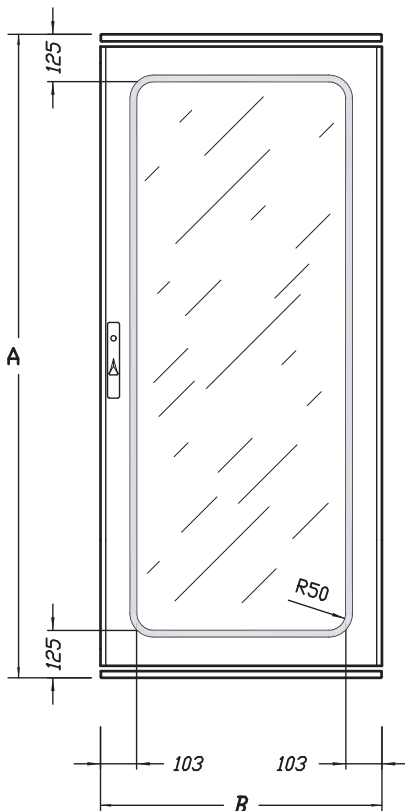


### protection degree

- IP 54 complying with EN50298; EN60529
- type 12 complying with UL508A; UL50
- impact resistance IK10 complying with EN50298; EN50102.

To be ordered separately:

- eyebolts and/or lifting brackets (see page 7).



code		cabinet dim.			B	A	
mod.	art.	width	height	depth			
CE1000X	061804PX	600	1809	414	600	1809	
	061805PX			514			
	062005PX		2009	514		2009	
	062006PX			614			
	081804PX	800	1809	414		800	1809
	081805PX			514			
	082005PX		2009	514	2009		
	082006PX			614			
	101805PX	1000	1809	514	1000		1809
	101806PX			614			
	102005PX		2009	514		2009	
	102006PX			614			

To order a stainless steel enclosure in high grade AISI 316, please add H to the catalogue number. E.g.: CE1000X-082005PXH.



# complementary accessories

STANDARD PLINTH:  
H=100 ATZ1 - H=200 ATZ2

characteristics

Corners: manufactured from 2mm AISI 304 stainless steel (AISI 316 on request).  
Cross channels: manufactured from 2mm AISI 304 stainless steel (AISI 316 on request).

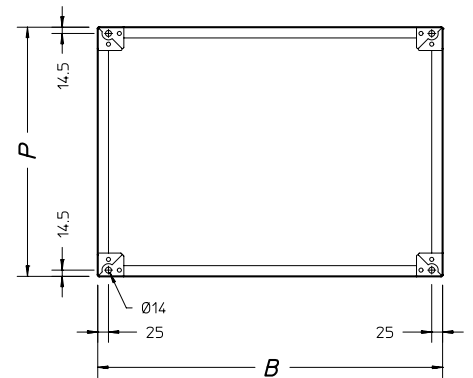
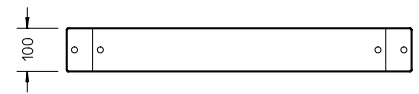
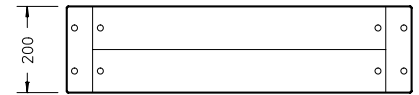
composition

- 4 corners

- cross channels.

The reduced dimension of the corners allows the easy handling of the cabinet.  
The side covers can be removed from the front and from the rear.

**REMARK:** available on request a fully welded plinth with side covers.



plinth

code		cabinet dim.		plinth	
mod.	art.	width	depth	B	P
ATX1 (h=100)	060040	600	414	600	378
	060050		514		478
	060060		614		578
	080040	800	414	800	378
080050	514		478		
080060	614		578		
ATX2 (h=200)	100040	1000	414	1000	378
	100050		514		478
	100060		614		578
	120040	1200	414	1200	378
	120050		514		478
	120060		614		578

To order a stainless steel enclosure in high grade AISI 316, please add H to the catalogue number.  
E.g.: ATX1-080050H.

## FRONT INSERTED MOUNTING PLATE ATPA

Manufactured from sendzimir sheet steel

- thickness 2.5mm for L<1000
- thickness 3mm for L≥1000.

mounting plate

code		cabinet dim.		plate	
mod.	art.	B	A	L	H
ATPA	060180	600	1809	485	1680
	060200		2009		1880
	080180	800	1809	685	1680
	080200		2009		1880
	100180	1000	1809	885	1680
	100200		2009		1880
	120180	1200	1809	1085	1680
	120200		2009		1880



\* For L ≥ 1400  
Mounting plate manufactured with two parts  
with horizontal union and stiffening omega



To be ordered separately:  
• mounting accessories: WTKB-002.

# complementary accessories



## SIDE INSERTED MOUNTING PLATE ATPL

Manufactured from 2.5mm sendzimir sheet steel  
Supply includes mounting accessories and sliding guides.

### mounting plate

code		cabinet dim.		plate	
mod.	art.	B	A	L	H
ATPL	060180	600	1809	600	1685
	060200		2009		1885
	080180	800	1809	800	1685
	080200		2009		1885
	100180	1000	1809	1000	1685
	100200		2009		1885
	120180	1200	1809	1200	1685
	120200		2009		1885



## SIDE PANELS ATFX

Manufactured from 1.5mm AISI 304 stainless steel (AISI 316 on request).

### composition

- two side panels
- rapid fasten couplers
- mounting accessories.

### side panels

code		cabinet dim.	
mod.	art.	height	depth
ATFX	040180	1800	400
	050180		500
	060180		600
	050200	2000	500
	060200		600

To order a stainless steel enclosure in high grade AISI 316, please add H to the catalogue number.  
E.g.: ATFX-050200H.



# complementary accessories

## INNER DOOR ATPIX

Manufactured from 2mm AISI 304 stainless steel material (AISI 316 on request) and supplied complete with vertical uprights and horizontal rails.

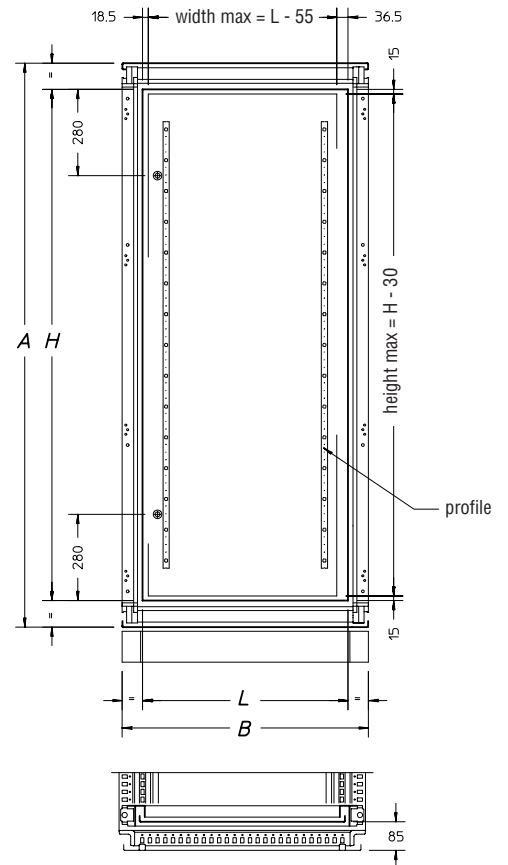
### composition

- door complete with Ø 3mm double bar locking system
  - hinges
- vertical uprights and horizontal rails
  - mounting accessories.

### inner door

code		cabinet dim.		inner door	
mod.	art.	B	A	L	H
ATPIX	060180	600	1809	467	1667
	060200		2009		1867
	080180	800	1809	667	1667
	080200		2009		1867
	100180	1000	1809	867	1667
	100200		2009		1867

To order a stainless steel enclosure in high grade AISI 316, please add H to the catalogue number. E.g.: ATPIX-080200H.



## 90° STAINLESS STEEL HINGE

### WTCE-090001XH

Manufactured in AISI 316 stainless steel material. Supply includes 4 pieces, with pins and clips in AISI 316 material.

Available on request.



## STAINLESS STEEL MOUNTING ACCESSORIES WTAX

Available on request.

1. REAR PANEL FIXING BRACKETS WTAX-100H  
Manufactured in AISI 316 material.  
Supply includes 8 pieces.

2. SIDE PANELS FIXING BRACKETS WTAX-200H  
Manufactured in AISI 316 material.  
Supply includes 16 pieces.

3. DOOR LOCKING POINTS WTAX-300H  
Manufactured in AISI 316 material.  
Supply includes 4 pieces.





# complementary accessories

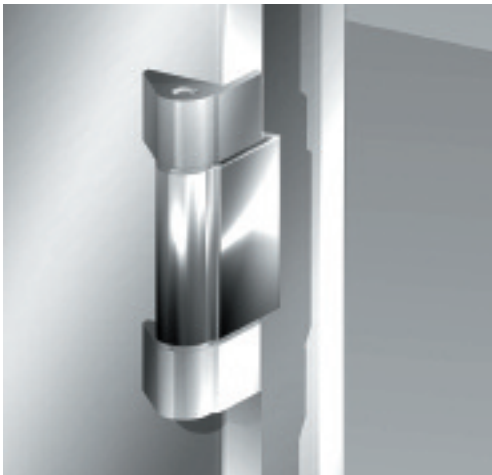


## LEVELLING FEET WTPX

They can be applied on the cabinet structure or plinth.  
They make easier the floor cleaning and adjust different heights.

### composition

4 pieces, plates and mounting accessories.



## 180° CHROME HINGES

WTCE-180001C

Supply includes 4 pieces.

## 180° HINGES AISI 316 STAINLESS STEEL

WTCE-180001X

Supply includes 4 pieces.



## EYEBOLTS

WTGS-001X

M12 lifting eyebolts. Stainless steel.

Supply includes 4 pieces.



## LIFTING BRACKETS WTSS-001

5mm zincpassivated sheet steel lifting brackets.

Supply includes 4 pieces.



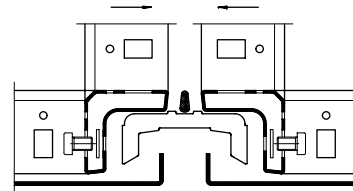


# complementary accessories

## JOINING KIT ATKU-002X

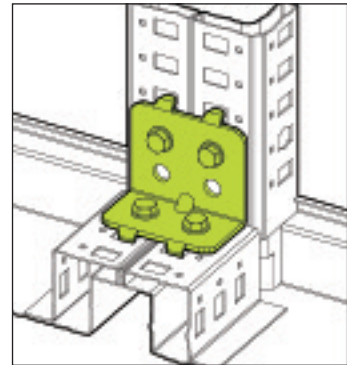
To be used to join two cabinets together.  
It is better to use lifting brackets WTSS-001 instead of lifting eyebolts.  
Supply includes union spacers, fixing accessories and gasket to guarantee IP protection degree.

Upon request available in chrome plated material (ATKU-002C).



## REINFORCING BRACKETS ATKU-003

Manufactured from 4mm zincpassivated sheet steel.  
To be used to grant more rigidity to cabinets joined in a suite.  
Supply includes:  
4 pieces, mounting accessories.



## SHROUD FOR FILTER FANS

Installing a shroud over a filter fan and exhaust filter, the protection degree of the enclosure is maintained.

### characteristics

Manufactured from 1.2mm stainless steel AISI 304.

### composition

Single piece with mounting accessories.

### protection degree

IP 55.



code			
mod.	art.	for filter fan	for filter grid
WTCVX	005	WT300/300V WI200/200V	WT330 WI230
	010	WT305/305V WT308/308V WI205/205V	WT335 WI235
	015	WT310/310V WT315/315V WI210/210V	WT340 WI240

## PLAN POCKET WTTS

Large size plan manufactured from 1.5mm stainless steel.

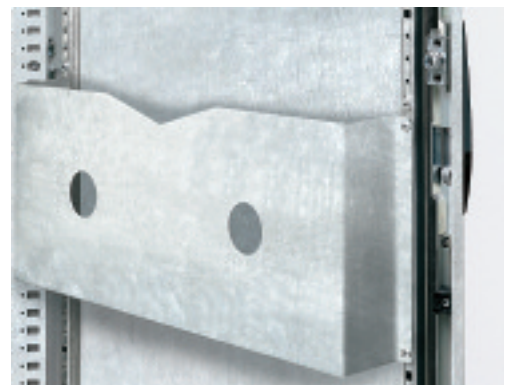
### composition

Supply includes: 1 plan pocket complete with mounting screws.

Width 600mm WTTS - 000600X

Width 800mm WTTS - 000800X

Width 1000mm WTTS - 001000X







# CE1000 stainless steel



## CE1000 MODULAR STAINLESS STEEL

Upon request, power distribution boards in stainless steel are available.  
(Cubicles made in sendzimir sheet steel).

conformity and approval



protection degree

Structure with glazed door:

- IP 54 complying with EN50298; EN60529
- type 12 complying with UL508A; UL50.

# CE1000 pc in stainless steel with pull-out keyboard



characteristics

The pc front with pull-out keyboard includes:

- structure in AISI 304 material with rear panel. AISI 316 on request
- top glazed door in stainless steel for monitor viewing
- pull-out keyboard drawer with mouse support
- lower door in stainless steel
- sealed box for keyboard
- adhesive double side tape for keyboard fixing
- gasket and mounting accessories
- monitor support.

protection degree

- IP 55.

dimensions			code	
width	height	depth	mod.	art.
600	1800	600	ATPCX	061806CE
600	2000	600	ATPCX	062006CE

To be ordered separately:

- side panels ATRFX (see page 5)
- plinth H=100, H=200 (see page 4).

To order a stainless steel enclosure in high grade AISI 316, please add H to the catalogue number.  
E.g.: ATPCX-061806CEH