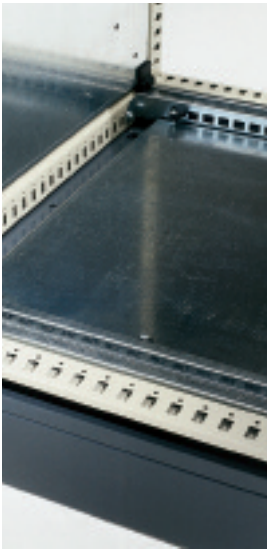




supplementary accessories



The CE1000 and CE2000 ranges of floor standing cabinets have the common accessories listed in the following pages.

Even the mounting plates ATPA and ATPL, that have been included in both paragraphs of CE1000 and CE2000, have to be considered accessories compatible with both ranges.

supplementary accessories



CABLE ENTRY MODULE SIDE OPENING ATRP

To be positioned at the end of a cabinet suite for protecting cable and connector systems.

characteristics/composition

Structure manufactured from 1.5mm sheet steel.

Door manufactured from 2mm sheet steel with 110° door opening.

- mounting accessories
- sealing gasket.

paint finish

CE-TEK standard epoxy polyester powder coating.

RAL 7032 textured finish.

protection degree

IP 55.

To be ordered separately:

- ATKU-007 when joining ATRP with CE1000.
- LNKU-004 when joining ATRP with CE2000.

cable entry module side opening W=200

code		dimensions	
mod.	art.	height	depth
ATRP	021805	1800	500
	022006	2000	600

Plinth: please order part number in accordance with the total width of standard cabinet + cable entry module (i.e. ATZ1-100050 or LNZ1-100050 for cable entry module joined to a CE1000 or CE2000 800 wide and 500 deep).

cable entry module side opening W=300

code		module dimensions	
mod.	art.	A	P
ATRP	031805	1809	512
	031806		612
	031808		812
	032005	2009	512
	032006		612
	032008		812

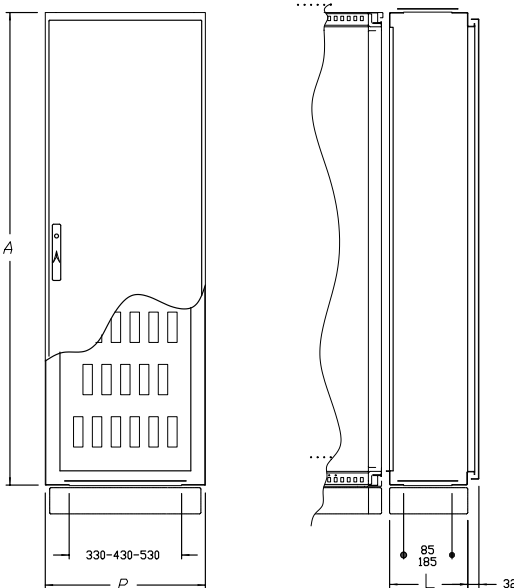
Plinth: see 'complementary accessories'.

blank partition panel

code		module dimensions	
mod.	art.	A	P
ATD3	050180	1809	512
	060180		612
	080180		812
	050200	2009	512
	060200		612
	080200		812

punched partition panel

code		module dimensions		no. holes
mod.	art.	A	P	
ATD4	050180	1809	512	28
	060180		612	44
	080180		812	60
	050200	2009	512	32
	060200		612	50
	080200		812	68

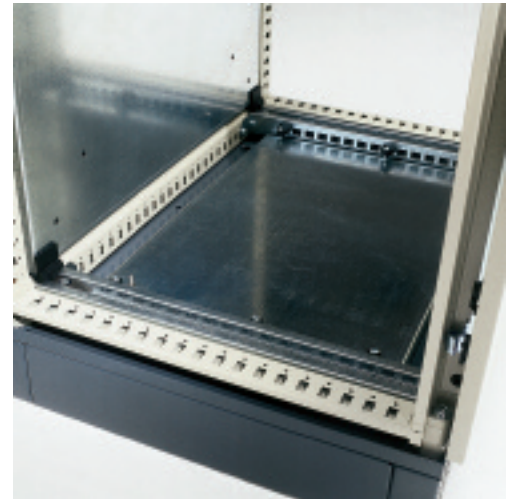




supplementary accessories

BLANK BASE WTFC
 Manufactured from a single piece 2.5mm sheet steel.
 composition
 Supply includes mounting accessories.

blank base



code		dimensions
mod.	art.	
WTFC	040040	400 x 400
	040050	400 x 500
	040060	400 x 600
	040080	400 x 800
	060040	600 x 400
	060050	600 x 500
	060060	600 x 600
	060080	600 x 800
	080040	800 x 400
	080050	800 x 500
	080060	800 x 600
	080080	800 x 800
	100040	1000 x 400
	100050	1000 x 500
	100060	1000 x 600
	100080	1000 x 800
	120040	1200 x 400
	120050	1200 x 500
120060	1200 x 600	
120080	1200 x 800	

CABLE ENTRY FOAM AND BOTTOM PLATE GASKET WTPT

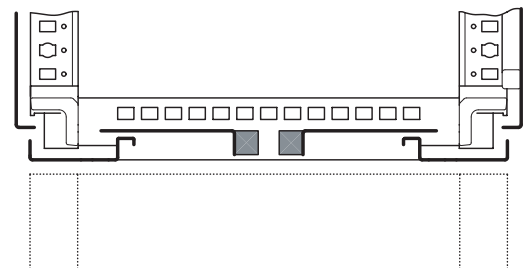
The bottom of the enclosure is sealed by the use of a gasket applicable on the cable entry section of the bottom plates.

characteristics
 Gland plates provided with sealing gasket.

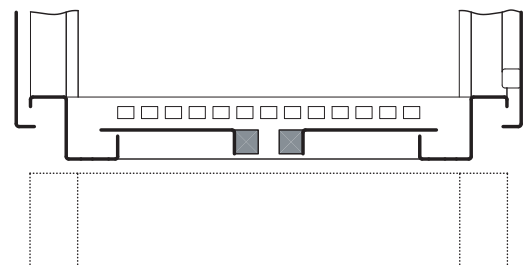
supply includes
 2 pieces with mounting accessories.

Available on request.

CE1000



CE2000



supplementary accessories



INNER DOOR ATPI

Manufactured from 2mm sheet steel supplied complete with vertical uprights and horizontal rails.

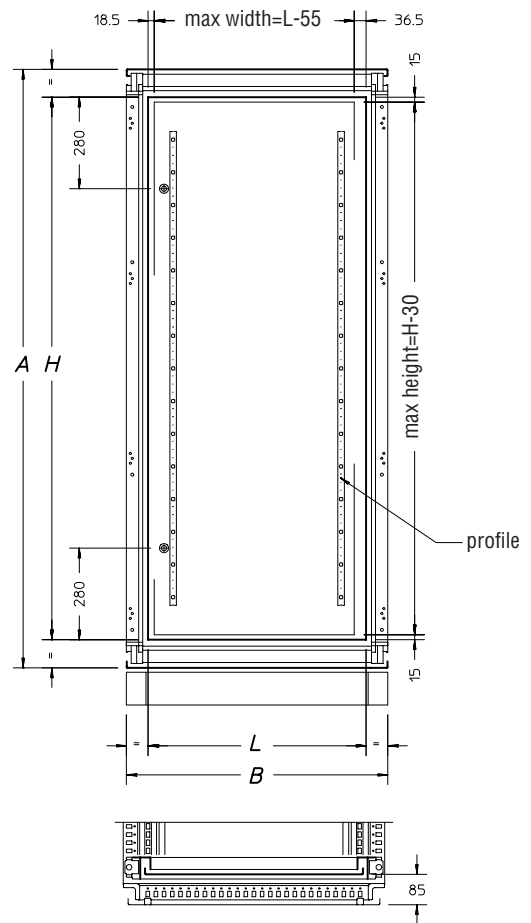
paint finish

CE-TEK standard epoxy polyester powder coating.

Colour: RAL 7032 textured finish.

composition

- door complete with \varnothing 3mm double bar locking system
- hinges
- vertical uprights and horizontal rails
- mounting accessories.



code	H cabinet
WTPP - 001400	1400
WTPP - 001600	1600
WTPP - 001800	1800
WTPP - 002000	2000
WTPP - 002200	2200

On request: two profiles for inner door.

inner door

code		cabinet dim.		inner door	
mod.	art.	B	A	L	H
ATPI	060140	600	1409	467	1267
	060160		1609		1467
	060180		1809		1667
	060200		2009		1867
	060220		2209		2067
	080140		800		1409
	080160	1609		1467	
	080180	1809		1667	
	080200	2009		1867	
	080220	2209		2067	
	100160	1000		1609	867
	100180		1809	1667	
	100200		2009	1867	
	100220		2209	2067	



supplementary accessories

RAIL H 50 mm WTPR

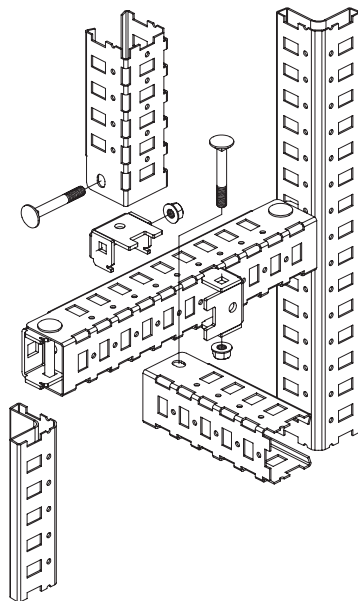
A unique easy mounted rail is used for all applications (horizontal, lateral and vertical mounting).
Manufactured from 1.5mm sheet steel with holes at 25mm.
To be applied to the structure by rail fixing brackets WTSF-001.

composition
Supply includes 4 pieces.

rails H 50mm

code		cabinet dim.	rail length
mod.	art.		
WTPR	050040	400	300
	050050	500	400
	050060	600	500
	050080	800	700
	050100	1000	900
	050120	1200	1100
	050140	1400	1300
	050160	1600	1500
	050180	1800	1700
	050200	2000	1900
	050220	2200	2100

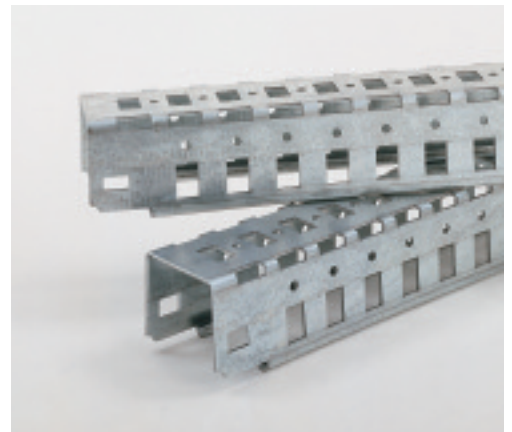
To be ordered separately: rail fixing brackets WTSF-001.



FIXING BRACKETS WTSF-001

Manufactured from 2.5mm zinc-passivated sheet steel.

composition
Supply includes: 8 pieces.



supplementary accessories



PARTIAL MOUNTING PLATE ATPR

On request mounting plates can be manufactured.

Manufactured from 2.5mm sheet steel.

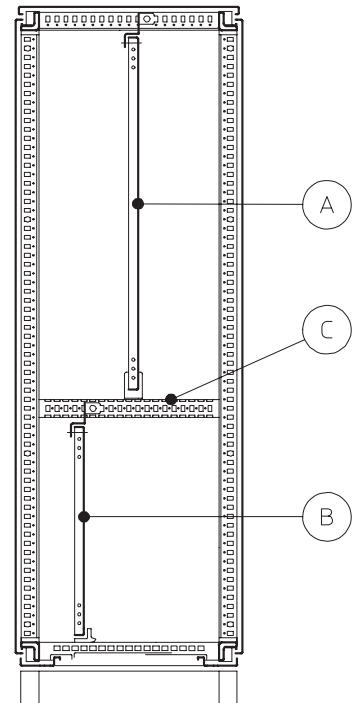
Position A mounting kit

Position B mounting kit

To be ordered separately rails (C) (see 'complementary accessories') and brackets WTSF-001(see page 5).

partial mounting plate

code		mounting plate dimensions	
mod.	art.	width	height
ATPR	060060	485	600
	060080		800
	060120		1200
	080060	685	600
	080080		800
	080120		1200



WTKA-001

Mounting kit pos. A.



WTKB-002 - CE1000/CE2000

Mounting kit pos. B.



supplementary accessories

BLANK VERTICAL DIVIDING PANEL ATD1

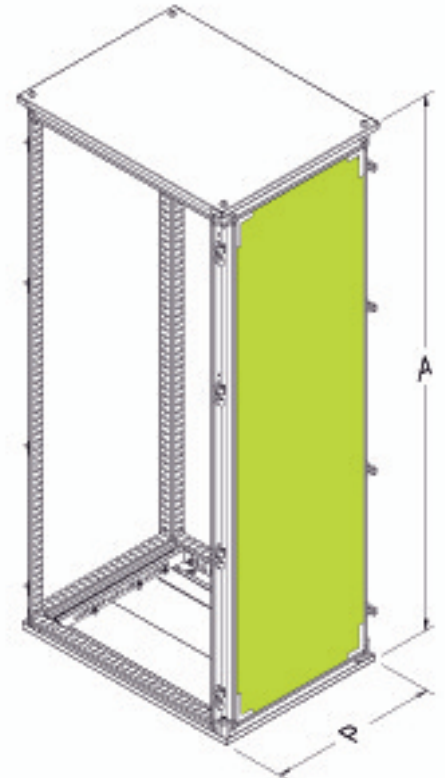
Manufactured from 1.5mm sendzimir sheet steel then folded on the sides.
To be used to separate two cabinets.

composition

Supply includes: one dividing panel, mounting accessories.

vertical dividing panel

code		cabinet dimensions	
mod.	art.	P	A
ATD1	040140	414	1409
	040160		1609
	040180		1809
	040200		2009
	050140	514	1409
	050160		1609
	050180		1809
	050200		2009
	050220	614	2209
	060160		1609
	060180		1809
	060200		2009
	060220		2209
	080180	814	1809
	080200		2009
080220	2209		



PUNCHED PARTITION PANEL ATD2

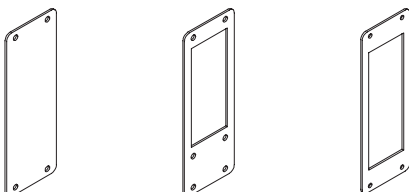
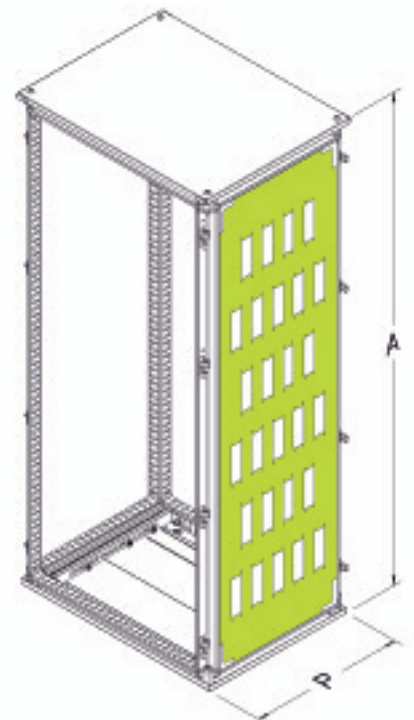
Punched partition panel for 24 pole connectors, manufactured from 1.5/2mm sendzimir sheet steel.

supply includes

Complete with mounting accessories.

punched partition panel

code		cabinet dimensions		
mod.	art.	P	A	no. holes
ATD2	050180	514	1809	36
	050200		2009	41
	060180	614	1809	44
	060200		2009	50
	080180	814	1809	68
	080200		2009	77



WE-350Z

Closing plate

Supply includes 1 piece.

WE-351Z

Reducer 24/16 poles

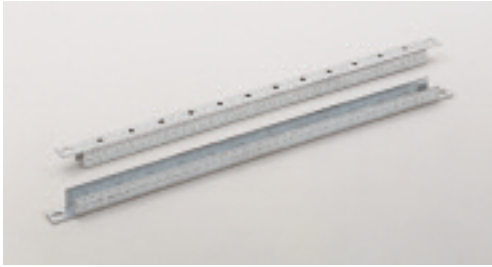
Supply includes 1 piece.

WE-352

Gasket

Supply includes 1 piece.

supplementary accessories



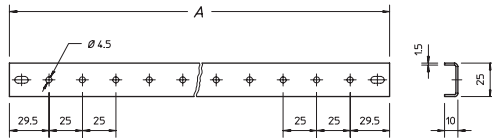
DOOR RAIL WTTO

Manufactured from 1.5mm sendzimir sheet steel.
To be applied to the stiffening frame to allow the fixing of cables or cable entries.

composition

Supply includes: 2 pieces complete with mounting accessories.

door rail



code		cabinet width	A
mod.	art.		
WTTO	000400	400	284
	000600	600-1200	484
	000700	1400	584
	000800	800-1600	684
	000900	1800	784

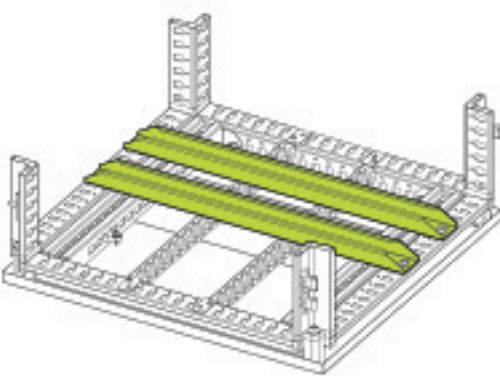
TRANSFORMER SUPPORTS WTST

Made from 2.5mm press bent sheet steel.
The rails are adjustable allowing easy fixing and positioning of transformers.

composition

Supply includes: 2 rails with mounting accessories.

transformer support



code		cabinet width
mod.	art.	
WTST	000400	400
	000600	600
	000800	800
	001000	1000
	001200	1200
	001400	1400
	001600	1600

It is recommended to use fast fixing brackets for heavy load (see 'complementary accessories').



WA-385

Sliding nuts to fix transformer.
Supply includes:
4 nuts, screws and washers.



supplementary accessories

RAILS FOR CABLE FIXING WTTF

characteristics

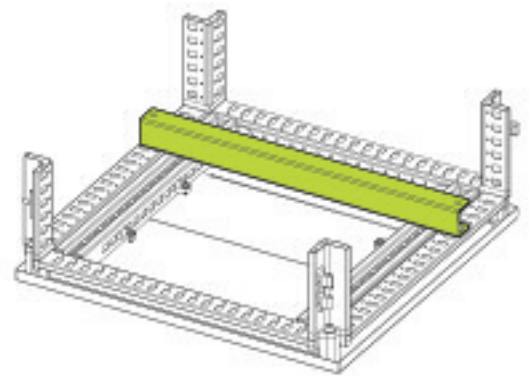
Manufactured from 3mm zincpassivated sheet steel.

composition

Supply includes single element with mounting accessories.

rails for cable fixing

code		cabinet width
mod.	art.	
WTTF	000400	400
	000600	600
	000800	800
	001000	1000
	001200	1200
	001400	1400
	001600	1600



DOOR INTERLOCK WTBP-001

WTBP-001

This mechanical door interlock allows the opening of the second door only when the main one is open.

Manufactured from 2mm zincpassivated sheet steel.

composition

Supplied with mounting accessories.



PLAN POCKET WTTS

Large size plan manufactured from 1.5mm sheet steel.

Colour: RAL 7032 textured finish.

composition

Supply includes: 1 plan pocket complete with mounting screws.

Width 500mm WTTS - 000500

Width 600mm WTTS - 000600

Width 700mm WTTS - 000700

Width 800mm WTTS - 000800

Width 1000mm WTTS - 001000



supplementary accessories

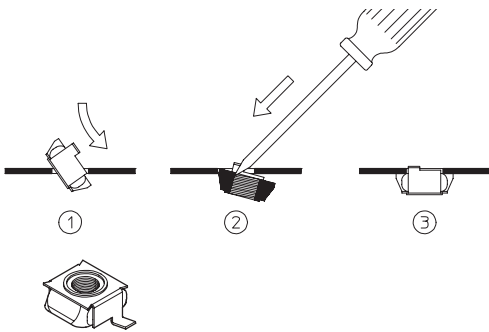


PLAN POCKET WA-050

A4 sheet size manufactured from thermoplastic material.

composition

Supply includes: 1 plan pocket with double sided adhesive tape.



M8 CAGE NUT WTDA-001

Supply includes: 20 pieces.



ALUMINIUM WINDOW WIPX

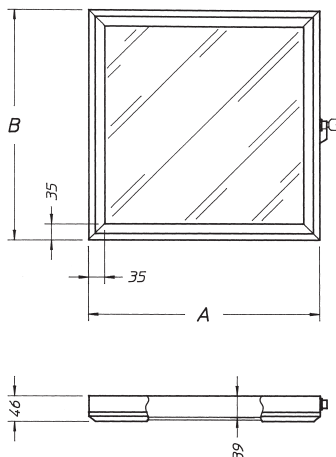
To be used to protect components mounted on the door.

Manufactured from anodized aluminium with glazed panel and sealing gasket.

composition

Supply includes: 1 piece.

code		A	B
mod.	art.		
WIPX	44	400	400
WIPX	55	500	500
WIPX	66	600	600





supplementary accessories

FLUORESCENT LAMP WTLA

Casing in aluminium finishing.

CE marked.

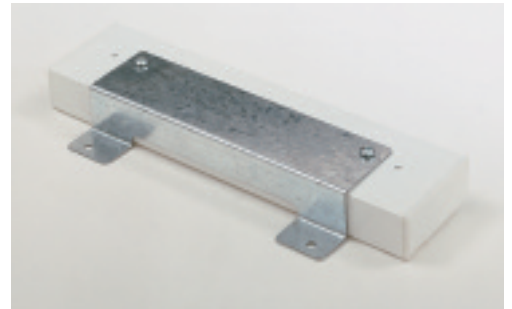
Protection degree IP 40.

code		voltage	power W	length mm
mod.	art.			
WTLA	005	220V 50Hz	8	320
	010	220V 50Hz	15	430
	015	220V 60Hz	15	430
	020	125V 60Hz	15	430
	025	220V 50Hz	18	640



LAMP SUPPORT WTSL-002

Manufactured from 1.5mm sheet steel.



FLUORESCENT LIGHT PACKAGE WTLA-030

Fluorescent lamp 11W, 230V nominal voltage, with SCHUKO style power and ON/OFF push button.

• available on request without plug: WTLA-035.

To be ordered separately:

• installation support WTSL-002.

Marking CE, in accordance with VDE standards.



MAGNETIC SUPPORT WTPM-001

A practical alternative to avoid any space or positioning problem.



VDE OUTLET WTVD-001

For application on DIN profile.

Dimensions: width 52, height 52, depth 59.



supplementary accessories



DRAWING DESK WTRL

Mounted directly to the door frame of CE1000, CE2000 and CE3000, it provides a stable surface for documents, computer or measuring devices. The desk can be easily folded and locked within the door frame space.

characteristics

Manufactured from 1,5mm sheet steel.

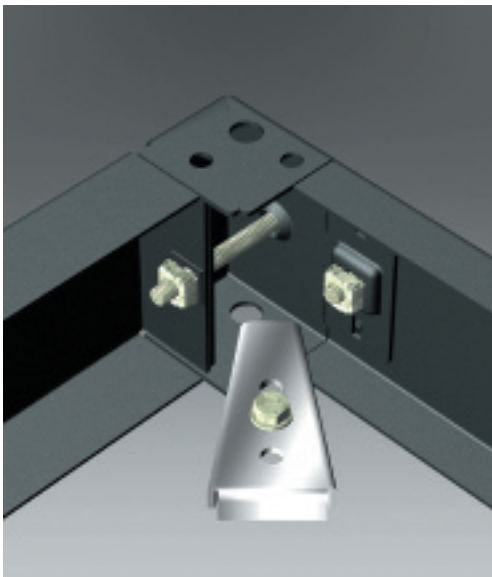
paint finish

RAL 7032 textured finish.

supply includes

1 piece with mounting material.

code		cabinet dimensions
mod.	art.	
WTRL	000600	600
WTRL	000800	800



FLOOR FIXING KIT FOR PLINTH BASE WTKP-001

- manufactured from 3mm zinc-plated sheet steel
- available also in stainless steel AISI 304 material.

supply includes

4 pieces.

Available on request.



CASTORS WTRU-001

High quality polyamide wheel.
Load capacity 80 kgs each wheel.

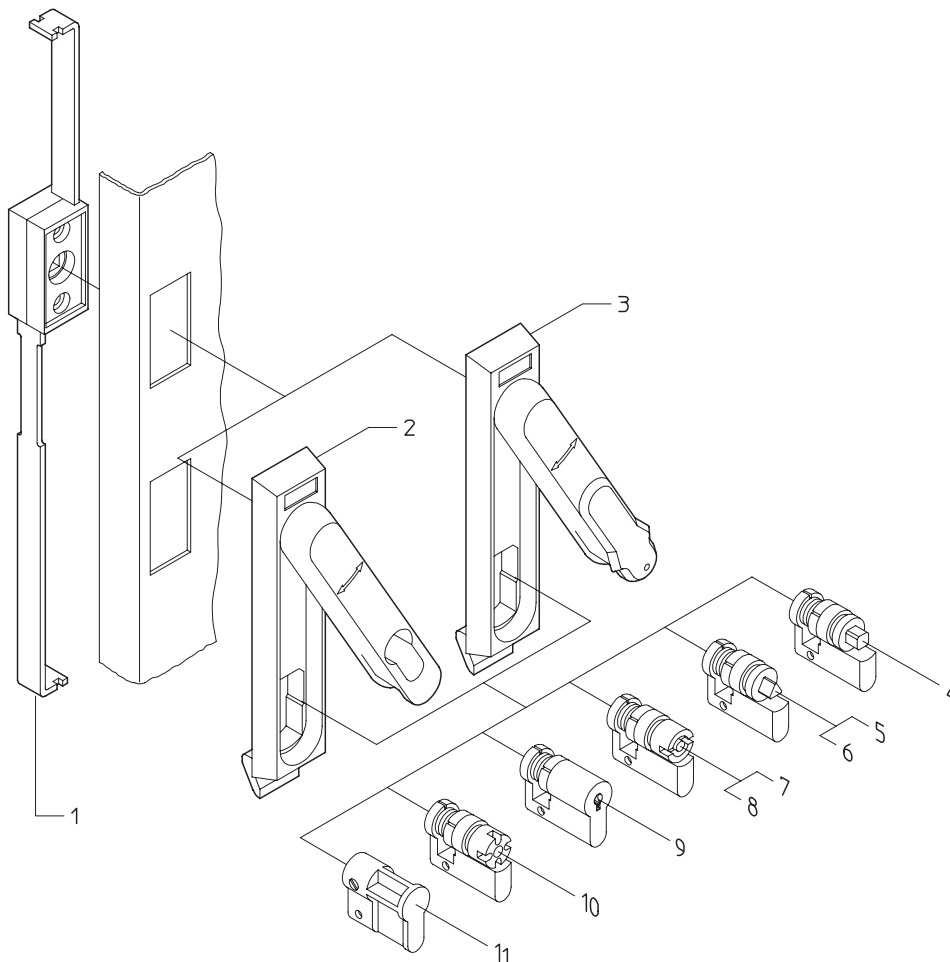
composition

Supply includes 4 pieces,
2 rotating wheels, 2 wheels with brake.

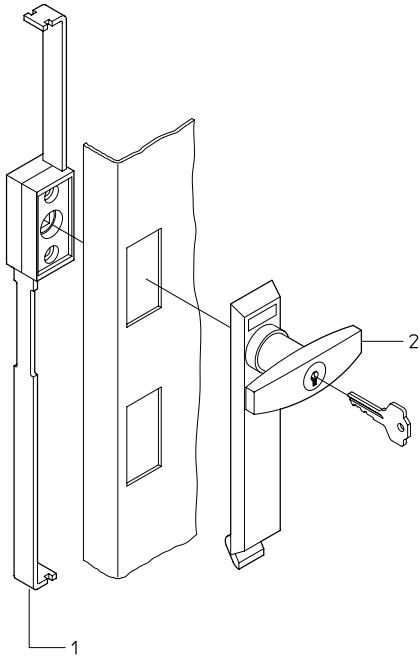
supplementary accessories

locking system WE

code		ref.	description
mod.	art.		
WE	005	1	rod system
WE	090	2	swinging handle with locking cover
WE	100	3	swinging handle with seal and locking cover
WE	140	4	lock insert ∇ 7
WE	125	5	lock insert ∇ 7
WE	130	6	lock insert ∇ 8
WE	115	7	ETA lock insert \varnothing 3
WE	120	8	ETA lock insert \varnothing 5
WE	110	9	insert with key lock
WE	150	10	Fiat lock insert
WE	105	11	blank insert

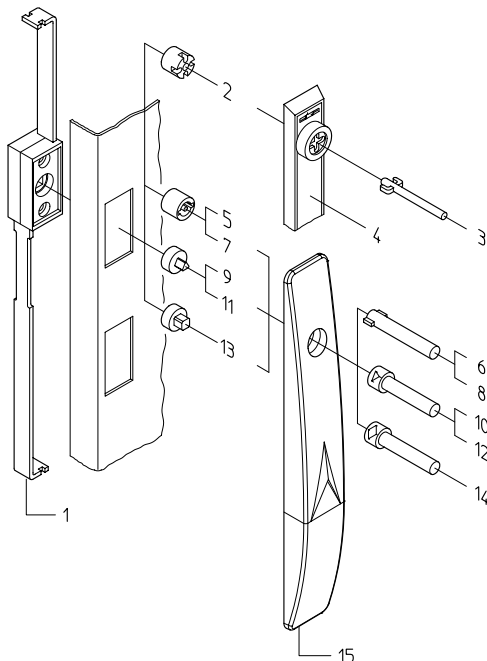


supplementary accessories



locking system WE

code		ref.	description
mod.	art.		
WE	005	1	rod system
WE	220	2	T handle with key lock



locking system WE

code		ref.	description
mod.	art.		
WE	005	1	rod system
WE	080	2	Fiat insert
WE	210	3	Fiat key
WE	025	4	locking cover for Fiat insert
WE	030	5	ETA insert ø 3
WE	160	6	ETA key ø 3
WE	040	7	ETA insert ø 5
WE	170	8	ETA key ø 5
WE	050	9	insert \sphericalangle 7
WE	180	10	key \sphericalangle 7
WE	060	11	insert \sphericalangle 8
WE	190	12	key \sphericalangle 8
WE	070	13	insert \sphericalangle 7
WE	200	14	key \sphericalangle 7
WE	017	15	CE1000 locking cover